

IntelliBrite™

Underwater Color-Changing Lights
By Pentair Water Pool and Spa™



*Introducing new LED lighting
from Pentair Water Pool and Spa*

A Breakthrough in color lighting drama and versatility

IntelliBrite™* automated color-changing pool and spa lights feature LED technology—the wave of the future in energy-efficiency, lifetime value, quality of light, and the ability to control it.

With IntelliBrite, clusters of individual colored bulbs are mixed and matched to achieve any color of the spectrum. The clusters can be electronically controlled to come on and cycle through colors at varying speeds, and in different sequences of color. Combined with a custom reflector and unique lens design, the IntelliBrite is the brightest and most efficient underwater LED light available.

*Patent Pending

Fixed Color Choices



The result is a virtually endless range of dramatic underwater lighting effects at your command. Poolside nights go from great to spectacular.

- Set one of 5 predetermined fixed colors to match or create the mood for the evening... and change it at will.
- Select from 7 popular “color shows” that come pre-programmed into IntelliBrite. Selections include slow scrolls through various color ranges for a mesmerizing and calming routine, to rapid-fire color changes that build energy and excitement for your evening.
- Enjoy the even distribution of the brightest LED light in the market combined with a custom reflector and lens designed to eliminate glare and “hot spots.”

Standard Light Shows



SAm® Mode:
Cycles through the color spectrum of the SAm light



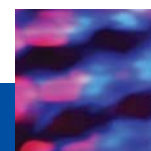
Party Mode:
Rapid color changing builds energy and excitement



Romance Mode:
Slow transition for a mesmerizing and calming routine



California Sunset Mode:
Dramatic transitions of orange, red and magenta tones



American Mode:
Patriotic red, white and blue transition

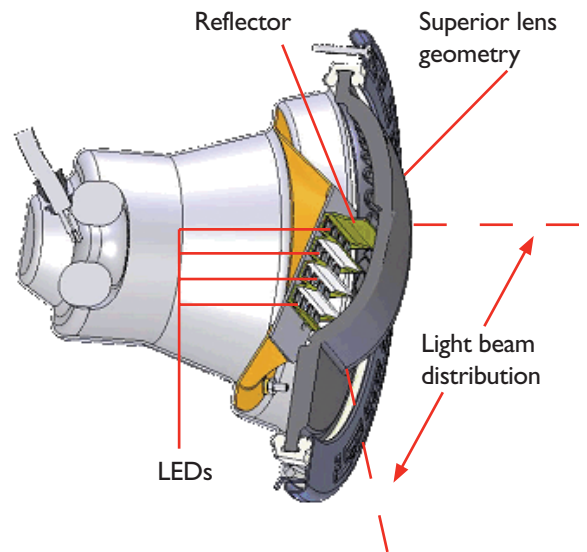


No other LED light offers the brightness or freedom of IntelliBrite

Pentair engineers have raced past competing LED lights a number of ways.

- IntelliBrite technology makes use of the brightest LED bulbs available.
- A superior reflector design assures more light is directed toward the pool bottom to further increase intensity and color effects, while minimizing glare.
- Superior lens geometry distributes light in an optimum way to avoid “hot spots” on the pool bottom. Light intensity and color are distributed more uniformly throughout your pool.
- IntelliBrite is controlled digitally to enable a greater number of standard light programs and a greater ability to create your personal, magical light shows.
- Only IntelliBrite was designed to work with IntelliTouch®, the leading control system for pool, spa and poolscape equipment automation. In effect you transfer programming and control of IntelliBrite to the central system that controls all your other backyard and pool features.

IntelliBrite is clearly the new standard in color-changing underwater lighting creativity and value.



Drawing shows unique lens and reflector designs which combine to provide superior light beam distribution.



Caribbean Mode:

Transitions between a variety of blues and greens



Royal Mode:

Cycle that selects only lighter, brighter tones of color

UL listed only when using Pentair niches for use in swimming pools, spas and water fountains.



IntelliBrite™

Underwater Color-Changing Lights

By Pentair Water Pool and Spa™



Also ask your Pool Professional about:

FIBERworks® pool and spa perimeter and landscape lighting systems that immerse your entire backyard in the distinctive glow of fiber optic lighting.

IntelliTouch® and **EasyTouch®** control systems that automatically monitor and control pool and spa equipment and other backyard features with simple push-button programming from a variety of wired and wireless controllers.

Pentair Water automatic pool cleaners: For inground pools, choose the world-renowned **Kreepy Krauly®** or dual-action **PoolShark®** suction cleaners—or select from our **Legend®** series of pressure cleaners. For aboveground pools, pick **E-Z Vac®** or **'Lil Shark™**. Nobody offers you more quality choices.

MiniMax® and **ThermalFlo™** energy-efficient and eco-friendly heaters and heat pumps.

All these fine products come from the world leader in pool and spa equipment, Pentair Water Pool and Spa.



Available from:



Pentair Pool Products® 800.831.7133
www.pentairpool.com

Sta-Rite® 800.831.7133
www.staritepool.com

pumps / filters / heaters / heat pumps / automation / lighting / cleaners / sanitizers / maintenance products

